

## Features:

- High segment intensity
- Wide viewing angle
- Range of colours
- Grey face colour
- White segment colour

## Available options:

- Alternative face and segment colour
- Alternative font
- Cropped terminal pins
- Alternative emitting colour
- Low current version

## Font design

Product not shown  
actual size



## Electro / Optical Characteristics - $I_F = 20 \text{ mA}$ ( \* HE Blue - $I_F = 10 \text{ mA}$ ) $T_a = 25^\circ \text{ C}$

Part Number Common Cathode	Part Number Common Anode	Emitting Colour	Wavelength Peak $\lambda_p$	Forward Voltage $V_F$		Luminous Intensity $I_V$	
				typical	max	min	typical
FN4-0365L00GW	FN4-0366L00GW	GaAlAs Red	660	1.85	2.00	-	15
FN4-0365300GW	FN4-0366300GW	HE Red	640	2.05	2.50	-	5
FN4-0365Y05300GW	FN4-0366Y05300GW	Yellow	591	2.05	2.40	-	30
FN4-0365200GW	FN4-0366200GW	Green	568	2.10	2.50	-	9
FN4-0365B0500GW	FN4-0366B0500GW	* HE Blue	465	3.70	4.00	-	6
FN4-0365B0100GW	FN4-0366B0100GW	Blue	428	3.80	4.50	-	4
Units			nm	V		mcd / seg. (digit average)	

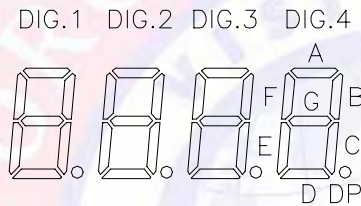
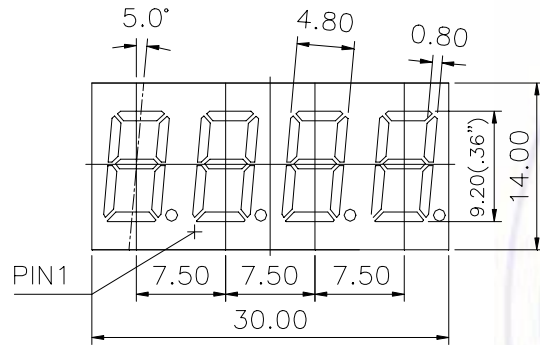
## Maximum Ratings $T_a = 25^\circ \text{ C}$ ( Derate above $25^\circ \text{ C}$ )

Characteristic	Condition	Symbol	Rating	Units
Pulse Forward Current	0.1 duty cycle @ 1KHz ( HE Blue )	$I_{FP}$	100 (35)	mA
DC Forward Current	( HE Blue )	$I_F$	25 (15)	mA
Reverse Voltage	$I_R = 10 \mu\text{A}$	$V_R$	5	V
Operating Temperature		$T_{opr}$	- 25 to + 80	$^\circ \text{ C}$
Storage Temperature		$T_{stg}$	- 30 to + 85	$^\circ \text{ C}$
Lead soldering temperature	1.6 mm from body - max 3 seconds		260	$^\circ \text{ C}$

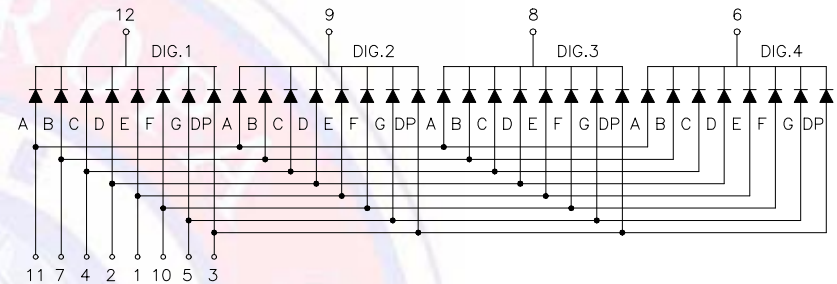
## Note

Industry standard procedures regarding static must be observed when handling product produced with blue die material.

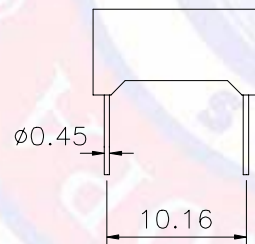
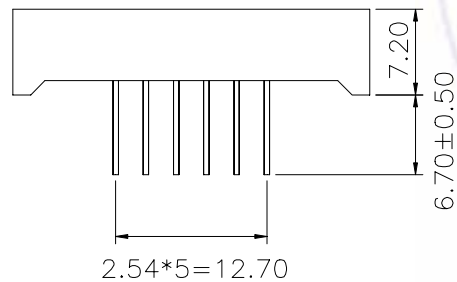
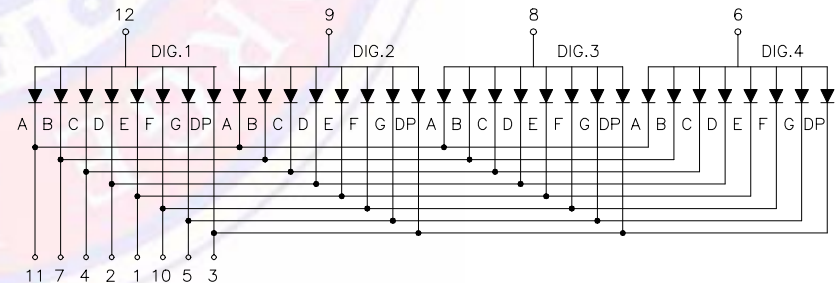
**Package Outline**



**Common Cathode**



**Common Anode**



Tolerance  $\pm 0.25$  mm unless stated