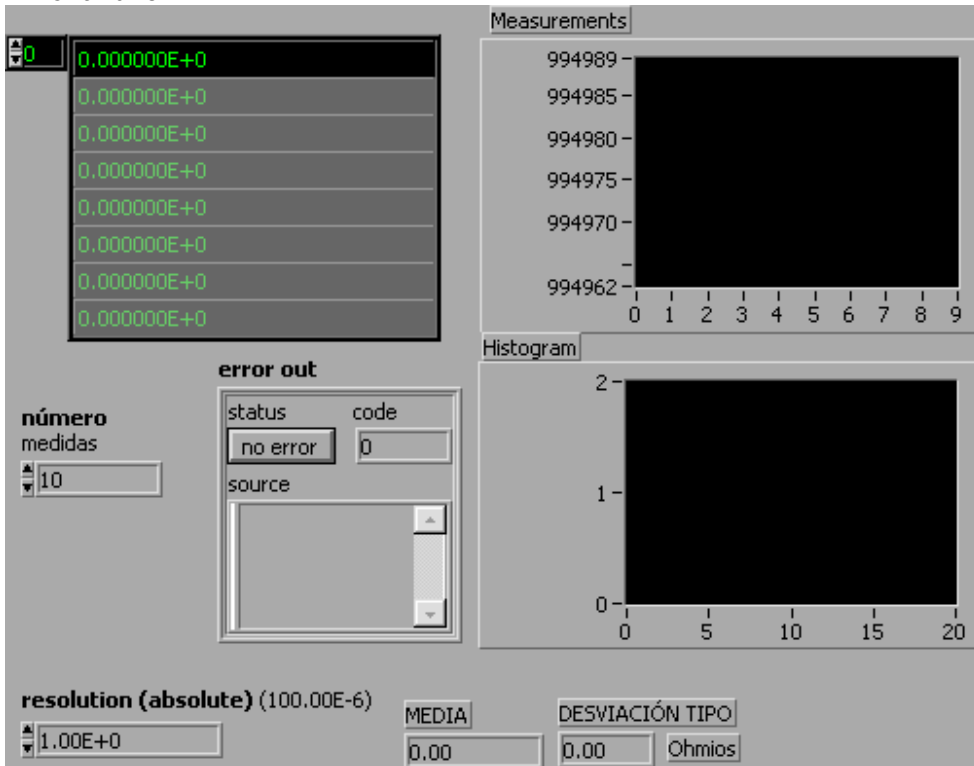
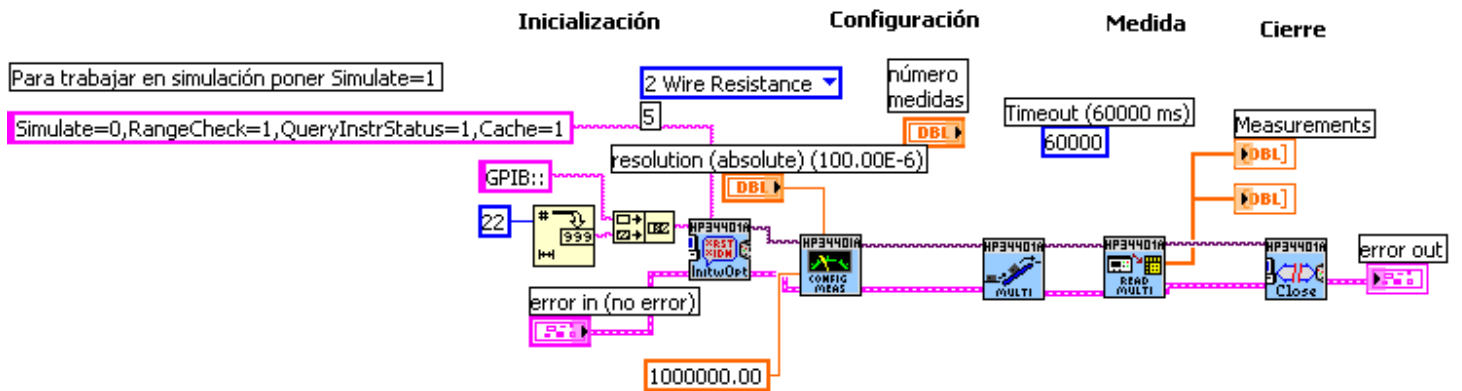


P5 draft.vi

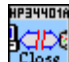
Front Panel





Block Diagram



List of SubVIs

 **HP34401A Close.vi**
 C:\Archivos de programa\National Instruments\LabVIEW
 6.1\instr.lib\hp34401a\HP34401A.LLB\HP34401A Close.vi

 **hp34401a Configure Measurement.vi**
 C:\Archivos de programa\National Instruments\LabVIEW
 6.1\instr.lib\hp34401a\hp34401a.lib\hp34401a Configure Measurement.vi

 **hp34401a Initialize With Options.vi**
 C:\Archivos de programa\National Instruments\LabVIEW
 6.1\instr.lib\hp34401a\hp34401a.lib\hp34401a Initialize With Options.vi



hp34401a Read Multi-Point.vi

C:\Archivos de programa\National Instruments\LabVIEW
6.1\instr.lib\hp34401a\hp34401a.lib\hp34401a Read Multi-Point.vi



hp34401a Configure Multi-Point.vi

C:\Archivos de programa\National Instruments\LabVIEW
6.1\instr.lib\hp34401a\hp34401a.lib\hp34401a Configure Multi-Point.vi

Position in Hierarchy

